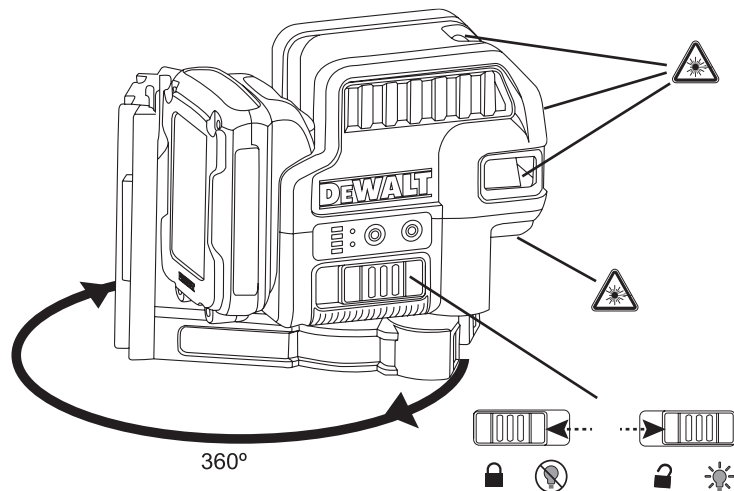


DEWALT®

DW0825LR/LG DCE0825R/G



	LASER 2	
DW0825LR/DCE0825R	DW0825LG/DCE0825G	
≤1.0mW @ 630-680nm	≤1.0mW @ 510-530nm	
IEC 60825-1: 2014		

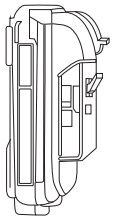
Complies with 21 CFR 1040.10 and 1040.11 except for deviations pursuant to Laser Notice No. 50, dated June 24, 2007



© 2016 DeWALT Industrial Tool Co.
701 East Joppa Road
Towson, Maryland 21286
<http://www.DeWALT.com>

© 2016 DeWALT Industrial Tool Co.
D-65510 Idstein,
Germany
<http://www.DeWALT.eu>

N482834 (Rev. 1) Dec. 2016



Li-Ion
DCB120
DCB123
DCB125
DCB127

